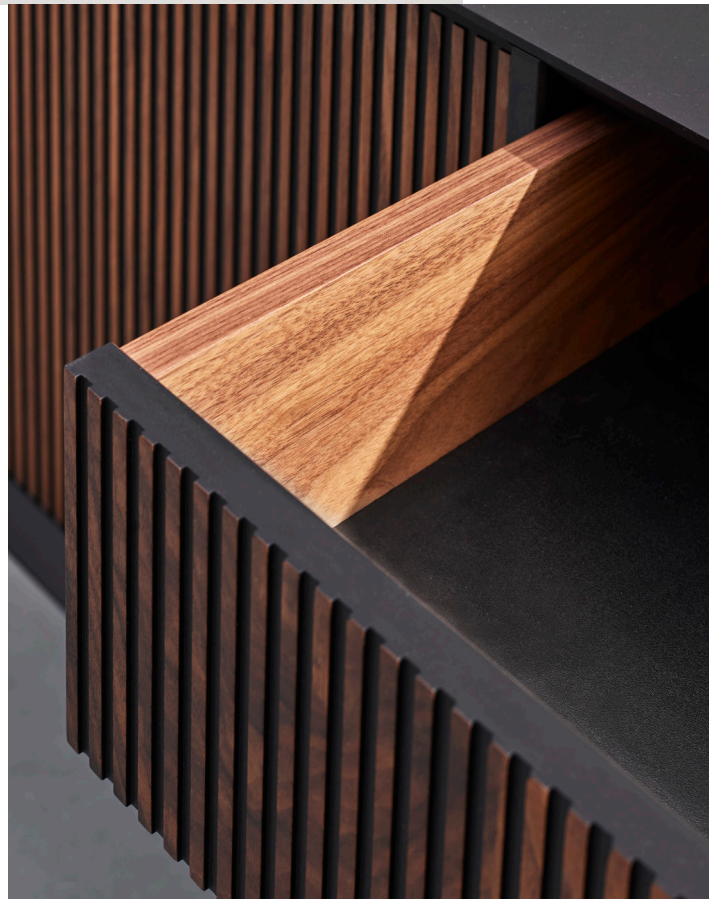
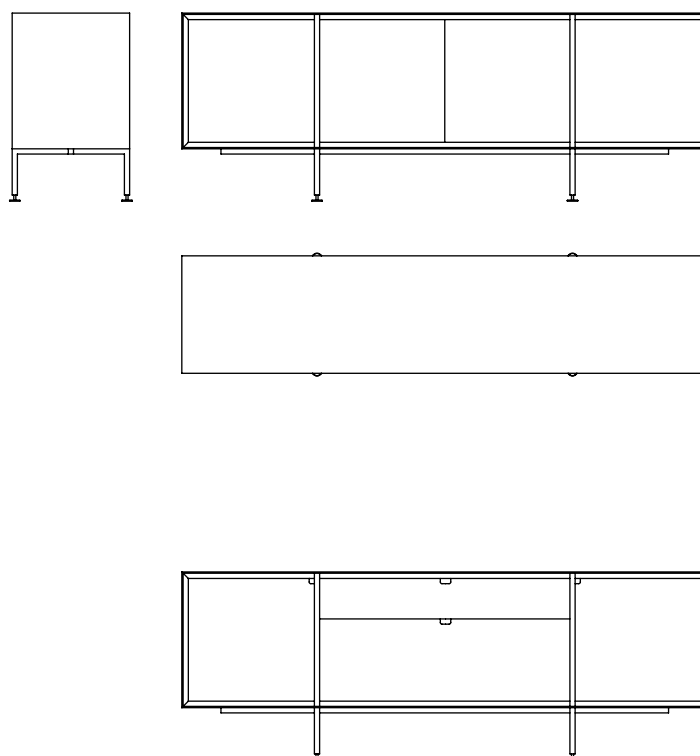
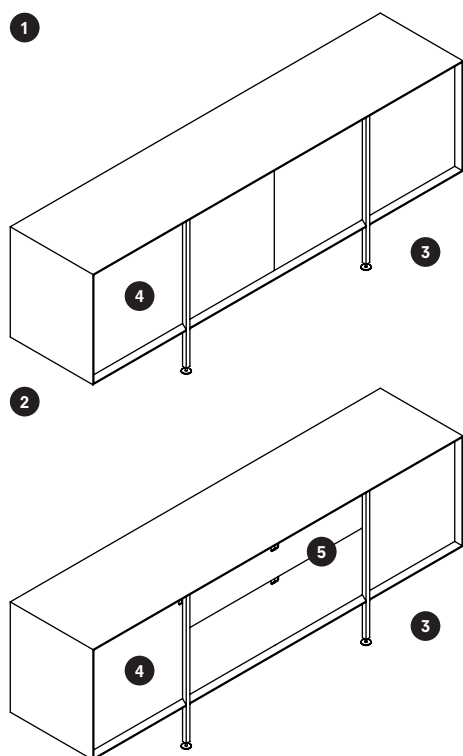


GiacomoMoor 01.SB



Black mdf structure with 45° degree construction, transparent matt finished. Doors in milled American walnut veneer on black mdf, transparent matt finished. Powder coated iron tubular base, squared section, Ral 9005 Jet black.

Technical Data



L custom - P 450 - H custom

- 1 Wood option 2 Glass option 3 H feet 200 4 Hinged door 5 Drawers

Finishes

Wood:

Natural oak
Italian walnut
American walnut
Open pore on oak (all Ral colors)
Milled wood

MDF:

Lacquered (all Ral colors)

Iron:

Powder coated (all Ral colors)

Glass:

Back lacquered glass

Manufacturing

All our products are custom made following a short supply chain, between Milan and Brianza. Made from FSC™ certified woods and other controlled materials.

Maintenance

Wood: rub with a cloth moistened with water. Do not use alcohol or detergents.
Glass: rub with a cloth moistened with glass cleaning products.
Iron: rub with a cloth moistened with water. Do not use brushes.