

GiacomoMoor

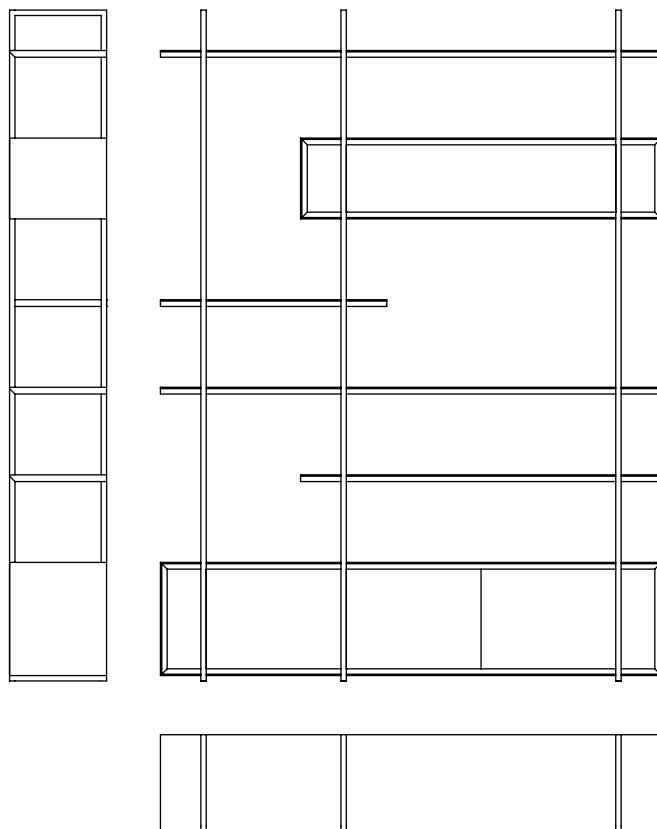
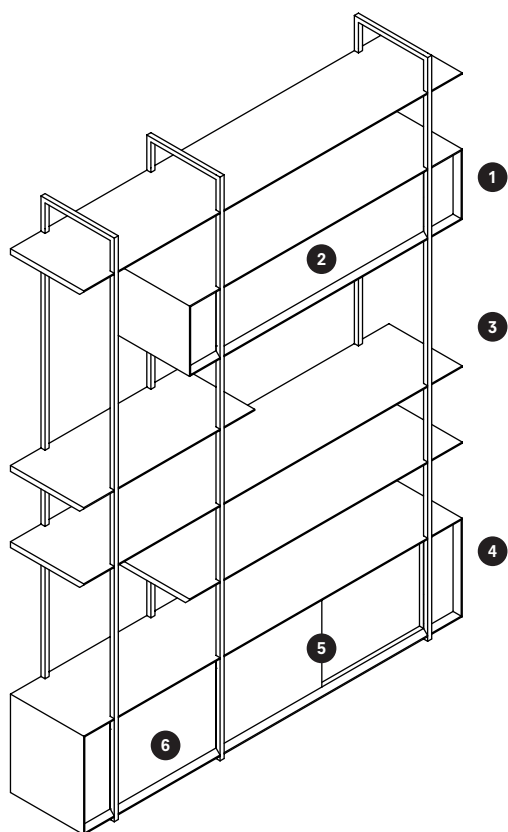
01.B+D



Shelves and volumes with 45° degree construction in american walnut, transparent matt finished. Powder coated supporting structure and ladder in tubular iron, squared section, Ral 9005 Jet black. Integrated desk with drawer in american walnut, transparent matt finished.



Technical Data



L custom - P 360 - H custom

- 1 H upper volume min 230/max 350 2 Flip up door 3 Overhang min 100/max 300 4 H lower volume min 230/max 420 5 Sliding door 6 Flip down door

Finishes

Wood:

Natural oak
Italian walnut
American walnut
Open pore on oak (all Ral colors)

MDF:

Lacquered (all Ral colors)

Iron:

Powder coated (all Ral colors)

Manufacturing

All our products are custom made following a short supply chain, between Milan and Brianza. Made from FSC™ certified woods and other controlled materials.

Maintenance

Wood: rub with a cloth moistened with water. Do not use alcohol or detergents.
Iron: rub with a cloth moistened with water. Do not use brushes.